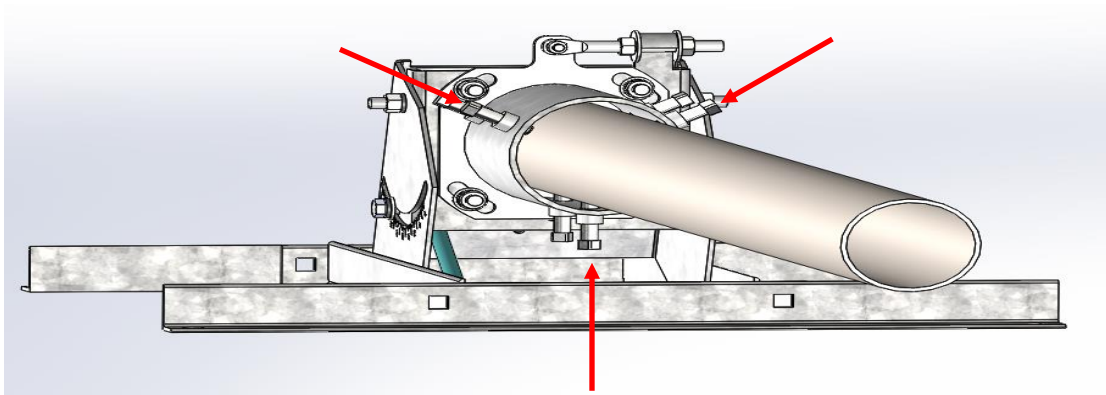


Type 180 Antenna Product Enhancement

Global Skyware is pleased to announce a product enhancement for the Type 180 Antenna system. The Type 180 Antenna AZEL canister has been modified to add 3 additional points of contact with longer cup point screws. The added points and longer screws will provide additional contact points with the mast pipe and allow the canister to accommodate a 4" OD or 4.5" OD mast pipe size. Shipments beginning 10/18/17 will include the new canister.



Please contact your local salesperson, sales@skywareglobal.com or 919-934-9711 for additional information.

9.25.17