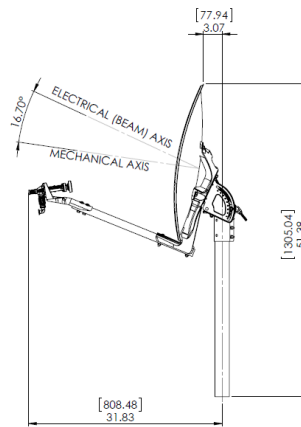
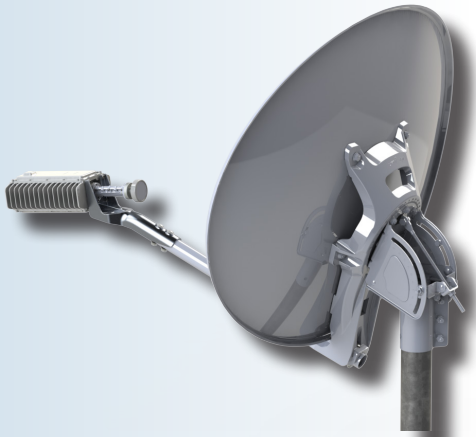


Type 748: 74cm Rx/Tx Extended Ka-Band Antenna



- ISO 9001:2008 Certificate of Registration
- One-piece Steel Reflector
- Precision Az/EI Mount
- Fine Azimuth and Elevation Adjustment Features
- All Materials Comply with EU Directive No. 2002/95/EC (RoHS)



- 720 Hour Salt Spray Hardware
- Designed for Skyware Global Ka Band Feed Components
- Designed for Tier I OEM Transceiver

New **Skyware Global 74cm Rx/Tx Extended Ka-Band Antenna** is a rugged, commercial quality product suitable for the most demanding applications.

- The stamped steel reflector is designed for strength and accuracy needed for Ka-Band operation.
- The precision Az/EI mount is made of galvanized steel for excellent corrosion resistance. This mount includes special features to increase pointing accuracy with low backlash and lockdown error.
- This Az/EI allows the antenna to be installed on standard (60mm) [2.38"] OD installation mounts.
- All hardware is plated to 720 hour salt spray standards tested in accordance with ASTM B-117.
- Designed for use with the Skyware Global line of Ka-band Feed assemblies.
- Tx Cross-Polarization Isolation of 25dB (within 1dB b/w) or better for CP Application.
- Excellent Tx Port to Port Isolation of 90dB or better.
- Meets or exceeds regulatory agency requirements.
- System designed for typical Ka-band RF Electronics.



• PRODUCT SPECIFICATIONS

RF Performance

Operating Frequency	
RX	18.3-20.2GHz
TX	28.3-30.0GHz
Gain (+/0.3db)	
RX	42.2 dBi @ 20.2GHz
TX	45.2 dBi @ 30.0GHz
VSWR	
	1.3:1 Max
3dB Beamwidth	
RX	1.38° @ 20.2GHz
TX	0.96° @ 30.0GHz
Sidelobe Envelope Co-Pol (dB)	
100 λ/D < θ < 20°	29-25 log θ dB
20° < θ < 26.3°	-3.5 dB
26.3° < θ < 48°	32-25 log θ dB
0 > 48°	-10 dBi (averaged)
Antenna Noise Temperature	
10° Elevation96K
20° Elevation69K
30° Elevation54K
Cross Polarization Isolation within 1.0 dB Beamwidth	
RX22dB
TX25dB
Isolation (Port to Port)	
RX	80dB
TX	90dB
Output Waveguide Interface Flange	
RX	WR42
TX	WR28

74cm Rx/Tx Extended Ka-Band Antenna

Mechanical Performance

Reflector Material	Steel
Antenna Optics	One-Piece Offset Feed Prime Focus
Mast Pipe Size	
	2.5" SCH 40 Pipe (2.38" OD) (60mm) Diameter
Elevation Adjustment Range	
	.5°-90° Continuous Fine Adjustment
Azimuth Adjustment Range	
	360° Continuous Course Adjustment ± 10° Fine Adjustment
Shipping Specifications	
	Approx. Net Weight: 45lbs (20Kg)
	Approx. Packaged Weight: 55lbs (25Kg)

Environmental Performance

Wind Loading	
Operational	50 mph (80 km/h)
Survival	
	125 mph (201 km/h)
Temperature (operational)	
	-40° to 140°F (-40° to 60)°C
Rain (operational)	
	½" / hr
Atmospheric Conditions	
	Salt, Pollutants and Contaminants as Encountered in Coastal and Industrial Areas
Relative Humidity	
	0 to 100% with Condensation
Solar Radiation	
	360 BTU/h/ ft ²



REV 05/16-02
Page 2 of 2