

# Single Polarity RxO Feed w/ Junction Block - Linear or Circular Polarity

Model(s) 611606607, 611606009, 611606012, 61106017

- Antenna with feed legs and junction block (B) should be assembled per instructions supplied with the antenna.
- Assemble LNB (item 2, not included) to transition (3) using the hardware and O-ring supplied with LNB. (Fig. 1). Tighten screws securely.
- Refer to Figure 2 for selecting polarity setting of feed assembly. Align horn to transition as required in next step.
- Assemble feed horn and header to transition using M4 screws, lock washers, and O-ring supplied (9, 10, 4). Note that the header (item 5) is captured between the feed horn flange and the transition. Tighten screws securely.
- Place bushings (A) around feed horn and place feed assembly in junction block (B). Secure with clamp (C) and M6 screws and flat washers (7, 8).

(Continued on back)

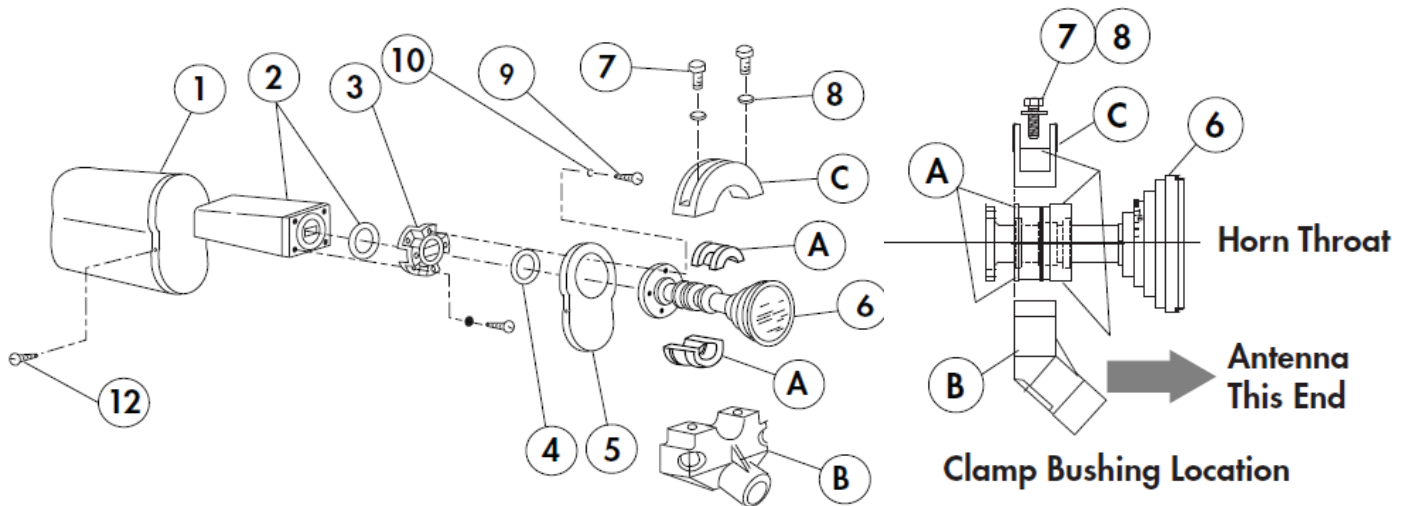


FIGURE 1 FEED HORN & LNB ASSEMBLY

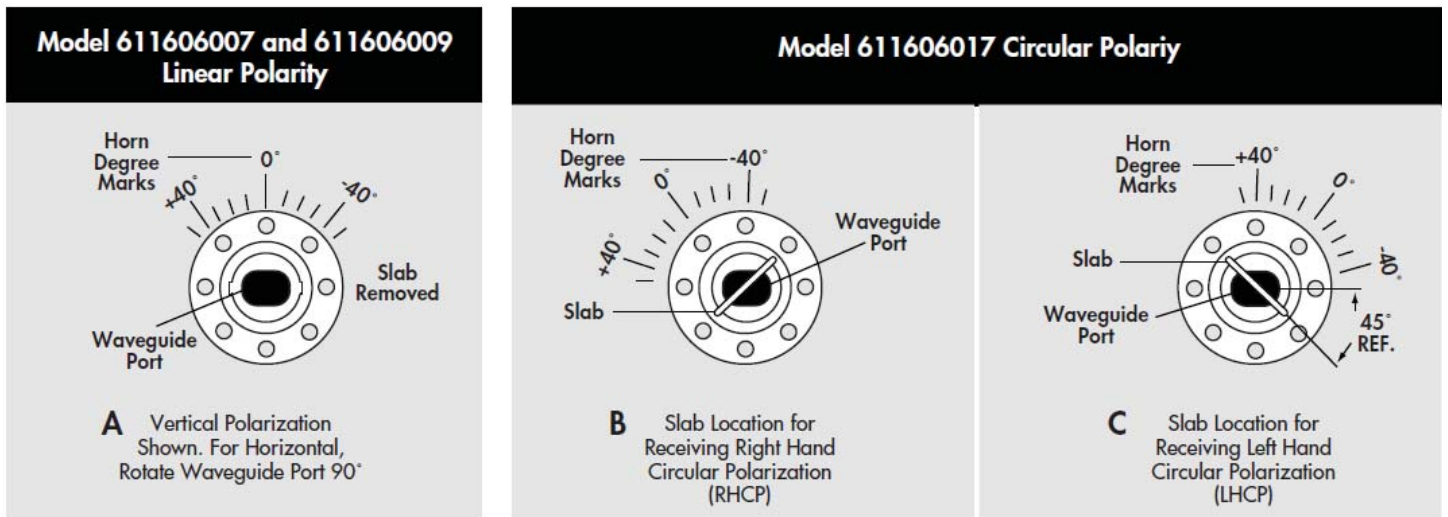


FIGURE 2 POLARITY SELECTION & SETTING

Note Views are shown looking into feed horn throat from antenna side



Skyware Global  
1315 Industrial Park Drive  
Smithfield, NC 27577 USA

Telephone: +1 919 934 9711

Internet: [www.skywareglobal.com](http://www.skywareglobal.com)

Printed in U.S.A.

05/11 8000288-01 Rev L EC-01077

- Connect LNB to receiver or signal strength meter and complete antenna installation and alignment to satellite according to antenna installation instructions. For linear polarity this will include rotating the feed assembly in junction block to set polarity. Tighten clamp screws (7).
- Connect permanent coaxial cable to LNB and tighten F-connector. Route cable down bottom feed leg and secure with cable ties or tape (not included). Ground feed assembly with suitable grounding wire (per code) connected to transition.
- Attach LNB weather cover to header with #8 self-tapping screws (for plastic header) or M4 screws (9) if metal header and large cover. Tighten screws.

### PARTS LIST

ITEM	DESCRIPTION	QTY	ITEM	DESCRIPTION	QTY
A	Feed horn bushing	2	5	Header for LNB weather cover	1
B	Junction Block	1	6	Corrugated Feed horn	1
C	Top Clamp	1	7	M6 x 30mm hex screw	2
1	LNB Cover	1	8	M6 flat washer	2
2	LNB & O-ring (not incl.)	1	9	M4 x 10mm Ph hd screw	4/6
3	Transition w/ ground screw	1	10	M4 lock washer	4/6
4	Feed horn O-ring	1	12	#8 x 1/2" Ph hd tapping screw	2

### PERIODIC MAINTENANCE

To ensure peak performance of the antenna system and to maintain validity of the warranty, the user should perform a periodic inspection every 6 months or following any severe weather event. As a minimum the following items should be inspected:

#### 1. Feed & LNB

Check feed lens or window for damage or signs of leaking. Check waveguide connections between feed and LNB. Check for loose hardware – tighten if necessary. Check hardware for signs of corrosion – repair or replace as needed.

#### 2. Electrical

Check for loose cables and connectors– tighten if necessary. Check for tight grounding connections. Check cables for weathering or cracks.

### SKYWARE GLOBAL

#### VERY SMALL APERTURE TERMINAL (VSAT) PRODUCTS TWELVE (12) MONTH LIMITED WARRANTY

Seller warrants that all Skyware Global manufactured VSAT products are transferred rightfully and with good title; that they are free from any lawful security interest or other lien or encumbrance unknown to Buyer. Seller also warrants that for a period of twelve (12) months from the date of shipment from Seller's factory, all its VSAT products shall be free from defects in material and workmanship which arise under proper and normal use and service. Buyer's exclusive remedy hereunder is limited to Seller's correction (either at its plant or at such other place as may be agreed upon between Seller and Buyer) of any such defects by repair or replacement at no cost to Buyer, except for the costs of any transportation in connection with the return of the defective VSAT products to be replaced or repaired, and the costs to remove and/or reinstall the products, which shall be borne by Buyer. The limited warranty period shall not be extended beyond its original term with respect to any part or parts repaired or replaced by Seller hereunder.

This warranty shall not apply to VSAT products which (i) have been repaired or altered in any way so as to affect stability or durability, (ii) have been subject to misuse, negligence or accident, (iii) have been damaged by severe weather conditions such as excessive wind, ice, storms, lightning, or other natural occurrences beyond Seller's control; (iv) have presented damages, defects or nonconformance caused by improper shipping, handling or storage, and (v) have not been installed, operated or maintained in accordance with Seller's instructions.

Buyer shall present any claims along with the defective VSAT product(s) to Seller immediately upon failure. Non-compliance with any part of this warranty procedure may invalidate this warranty in whole or in part.

SELLER MAKES NO WARRANTY, EXPRESS OR IMPLIED, OTHER THAN AS SPECIFICALLY STATED ABOVE. EXPRESSLY EXCLUDED ARE ANY IMPLIED WARRANTIES OF MERCHANTABILITY OR FITNESS FOR A PARTICULAR PURPOSE. THE FOREGOING SHALL CONSTITUTE ALL OF SELLER'S LIABILITY (EXCEPT AS TO PATENT INFRINGEMENT) WITH RESPECT TO THE VSAT PRODUCTS. IN NO EVENT SHALL SELLER BE LIABLE FOR ANY LOSS OF PROFITS OR REVENUE, LOSS OF USE, INTERRUPTION OF BUSINESS, OR INDIRECT, SPECIAL, CONSEQUENTIAL OR INCIDENTAL DAMAGES OF ANY KIND AS A RESULT OF THE USE OF THE PRODUCTS MANUFACTURED BY SELLER, WHETHER USED IN ACCORDANCE WITH THE INSTRUCTIONS OR NOT. UNDER NO CIRCUMSTANCE SHALL SELLER'S LIABILITY TO BUYER EXCEED THE ACTUAL SALES PRICE OF THE VSAT PRODUCTS HEREUNDER.

In some jurisdictions, Buyer may have other rights under certain statutes that may imply non-excludable warranties. No representative is authorized to assume for Seller any other liability in connection with the VSAT products.