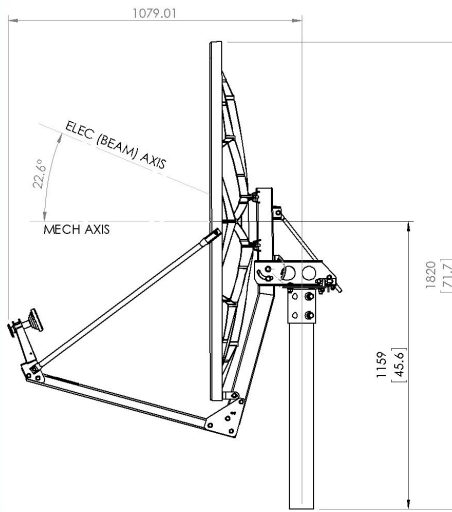


Type 128: 1.2m Rx/Tx Ku-Band High Wind Antenna



- ISO 9001:2008 CERTIFICATE OF REGISTRATION
- One-piece precision SMC Reflector
- Heavy Duty Az/EI Mount
- Fine Azimuth and Elevation Adjustment Features
- All Materials Comply with EU Directive No. 2002/95/EC (RoHS)



- 720 Hour Salt Spray Hardware

The **Skyware Global 1.2m Rx/Tx Ku-Band High Wind Antenna** is a rugged, commercial quality product suitable for the most demanding applications. This product is capable of Operation at 65mph and above depending on supporting structure.

- The reflector is constructed from glass fiber reinforced polyester (SMC) for strength and accuracy. A proprietary process developed by Skyware Global ensures high RF reflectivity.
- The Heavy Duty Az/EI mount is made of hot dipped galvanized steel for excellent corrosion resistance. This mount includes special features to increase pointing accuracy with low backlash and lockdown error.
- This Az/EI allows the antenna to be installed on standard 2.88" (73mm) or 3.5" OD mounts.
- All hardware is plated to 720 hour salt spray standards tested in accordance with ASTM B-117.
- Excellent Tx Port to Port Isolation of 90dB or better.
- Meets or exceeds regulatory agency requirements.



Satcom solutions for the long haul

REV 08/16-04
Page 1 of 2

1315 Outlet Center Drive, Smithfield, NC 27577 T + 1 919 934 9711 F + 1 919 989 2274 Sales @ Skyware Global.com

All designs, specification and availabilities of products and services presented in this bulletin are subject to change without notice. ©2016 Skyware Global

• **PRODUCT SPECIFICATIONS**

RF Performance

Operating Frequency
 RX..... 10.7-12.75GHz
 TX..... 13.75-14.5GHz

Polarization Linear, Orthogonal, Co-Pol Optional

Midband Gain (+/.2db)
 RX..... 41.1 dBi
 TX..... 43.3 dBi

VSWR
 RX..... 1.5:1 Max
 TX..... 1.3:1 Max

Pattern Beamwidth -3dB
 RX..... 1.6° @ 11.2GHz
 TX..... 1.2° @ 14.2GHz

Sidelobe Envelope Co-Pol (dBi)
 100 λ/D < θ < 20°..... 29-25 log θ dBi
 20° < θ < 26.3°..... -3.5 dBi
 26.3° < θ < 48°..... 32-25 log θ dBi
 0 > 48°..... -10 dBi(averaged)

Antenna Noise Temperature
 10° Elevation..... .63K
 20° Elevation..... .54K
 30° Elevation..... .53K

Cross Polarization Isolation*
 30dB within 1dB contour Min

Isolation (Port to Port)
 TX..... 90db
 RX..... 40db

Feed Interface
 TX..... WR75
 RX..... WR75

(*Eutelsat Approval and Cross-Polarization Specification apply to Tx band 14.0-16.5 GHz only.)

1.2m Rx/Tx Ku-Band High Wind Antenna

Mechanical Performance

Reflector Material Glass Fiber Reinforced Polyester (SMC)

Antenna Optics Single Piece Offset, Prime Focus

Mast Pipe Size. 2.5" or 3"sch 40 or 80 (73.2mm or 89mm Diameter) Depending on wind resistance required

Mount Type Elevation Over Azimuth

Elevation Adjustment Range 5°-90° Continuous Fine Adjustment

Azimuth Adjustment Range 360° Continuous ± 5° Fine Adjustment

Maximum Transmitter Weight. 5.4kg(12 lbs)

Approx Weight. 62 lbs

Environmental Performance

Wind Loading

Operational. 65 mph (104 km/h)

Functional Survival. 90 mph (144 km/h) No Reprint Required

Ultimate Survival. 125 mph (201 km/h) No Permanent Damage

Temperature Operational -40°C to +60°C

Temperature Survival -50°C to +80°C

Rain(operational) 1/2"/hr

Rain(Survival). 2"hr

Humidity. 0 to 100% (Condensing)

Atmospheric Conditions Salt, Pollutants and Contaminants as Encountered in Coastal and Industrial Areas

Solar Radiation. 360 BTU/h/ft²



REV 08/16-04
 Page 2 of 2